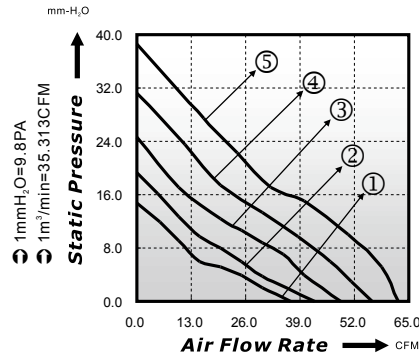


60x60x38mm

Model A

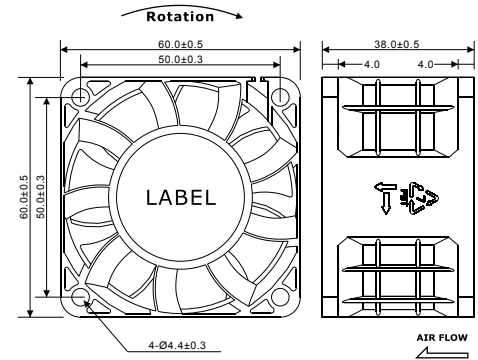


P-Q Curve (At Rated Voltage)



Dimensions Drawing

Unit: (mm)



Model No	Bearing (*)	Rated Voltage (VDC)	Rated Current (A)	Power Consumption (Watts)	Speed (rpm)	Air Flow (CFM)	Static Pressure (mmH ₂ O)	Noise (dBA)	Curve
ED06038-12LLB	●	12	0.65	7.80	6000	36.75	14.78	49.2	1
ED06038-12LB	●	12	0.95	11.40	7000	42.47	19.25	53.8	2
ED06038-12MB	●	12	1.25	15.00	8000	48.64	24.68	57.5	3
ED06038-12HB	●	12	1.80	21.60	9000	56.35	31.23	60.5	4
ED06038-12HHB	●	12	2.35	28.20	10000	62.50	38.55	63.5	5

* Bearing Type: ○ Sleeve ● Two Ball ○ Hydro-Dynamic